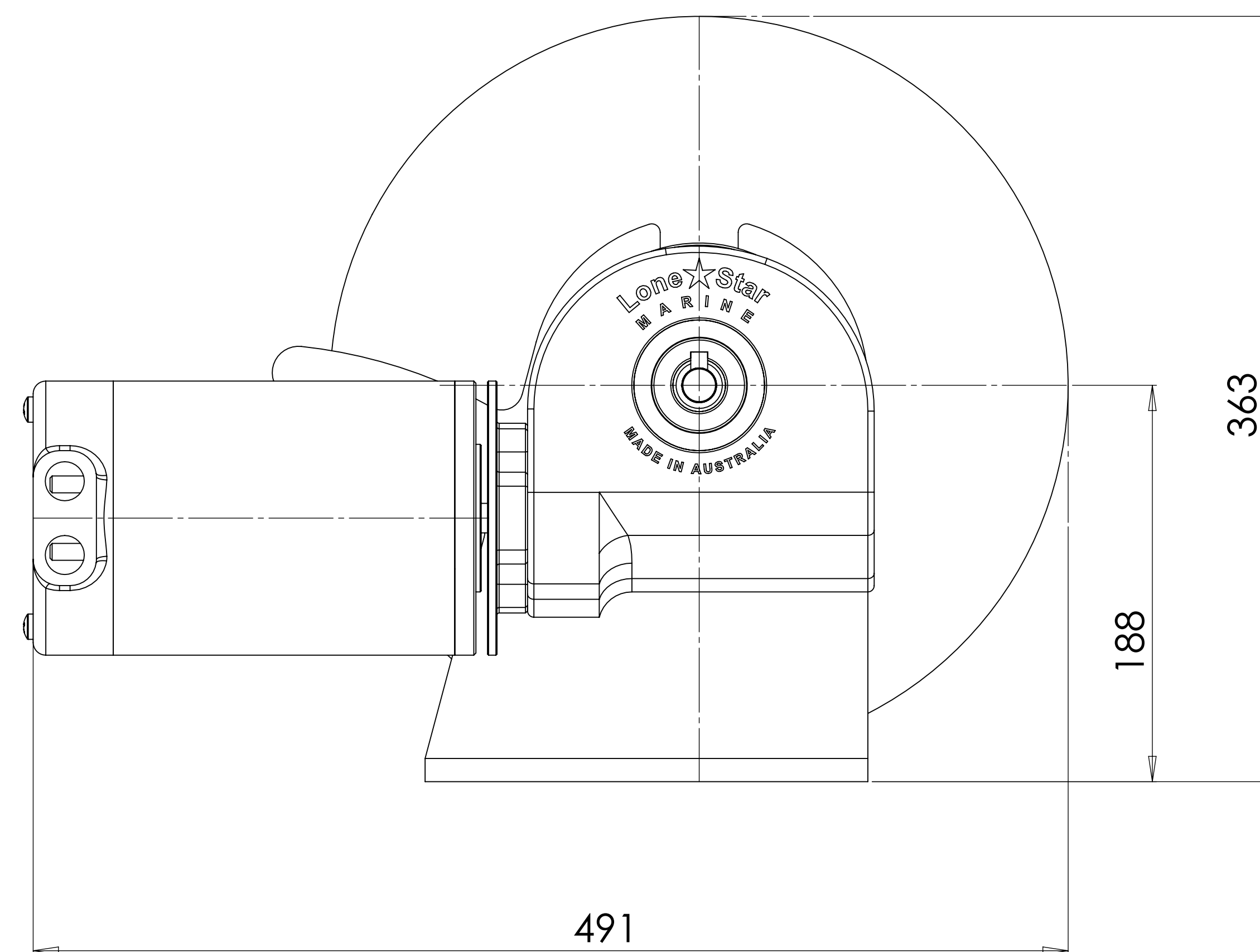
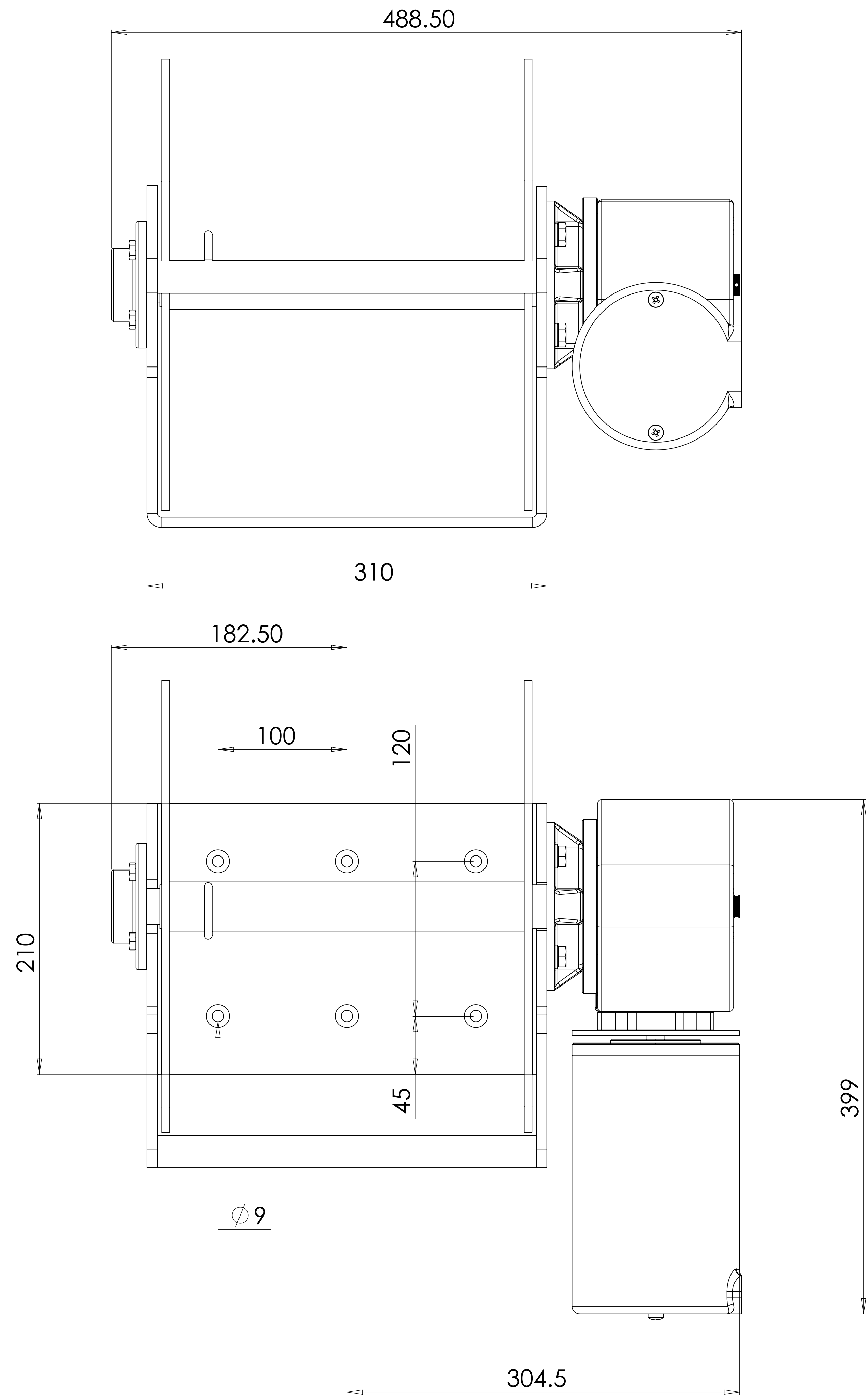


DO NOT SCALE



This document and its contents are the property of Lone Star Marine, they are protected by design registration and copyright, any form of disclosure to any third party is strictly prohibited unless written permission is given from Lone Star Marine.

UNLESS OTHERWISE SPECIFIED: DIMENSIONS ARE IN MILLIMETERS		FINISH:	DEBUR AND BREAK SHARP EDGES		DO NOT SCALE DRAWING	REVISION
SURFACE FINISH:						
TOLERANCES:						
LINEAR:						
ANGULAR:						
DRAWN:	NAME:	SIGNATURE:	DATE:		TITLE:	
CHCD:	CHRIS		12-4-2016			
APPVD:						
MFG:						
QA:						
				MATERIAL:	DWG NO. ELITE 4 FIT UP_1 A1	
				WEIGHT:	SCALE: 1:5 SHEET 1 OF 1	